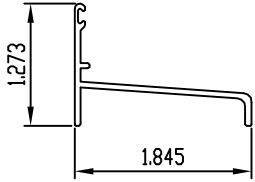
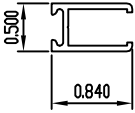
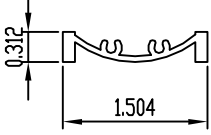
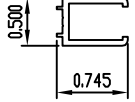
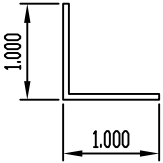
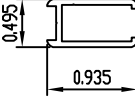
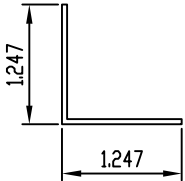
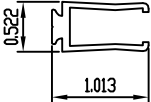
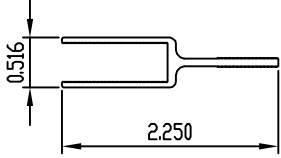
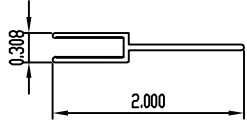
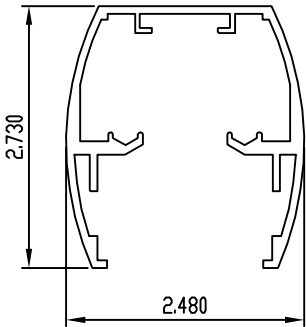
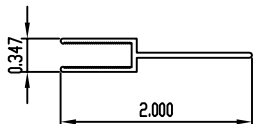
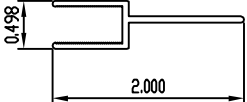
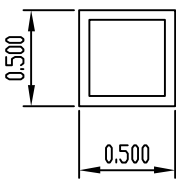


RG系列简图

SHANGHAI BRILLIANCE ALU CO., LTD

3/4

<p>SY-SH-RG-302-2 T=0.061in 0.242LB/FT</p>		<p>SY-SH-RG-503 T=0.058in 0.154LB/FT</p>	
<p>SY-SH-RG-303 T=0.060in 0.229LB/FT</p>		<p>SY-SH-RG-504 T=0.058in 0.135LB/FT</p>	
<p>SY-SH-RG-305 T=0.0625in 0.145LB/FT</p>		<p>SY-SH-RG-504W T=0.059in 0.165LB/FT</p>	
<p>SY-SH-RG-305V2 T=0.053in 0.155LB/FT</p>		<p>SY-SH-RG-505 T=0.057in 0.205LB/FT</p>	
<p>SY-SH-RG-307 T=0.058in 0.306LB/FT</p>		<p>SY-SH-RG-506 T=0.060in 0.196LB/FT</p>	
<p>SY-SH-RG-501 T=0.085in 1.217LB/FT</p>		<p>SY-SH-RG-507 T=0.054in 0.185LB/FT</p>	
		<p>SY-SH-RG-508 T=0.068in 0.239LB/FT</p>	
<p>SY-SH-RG-502 T=0.052in 0.112LB/FT</p>		<p>SY-SH-RG-601 T=0.060in 0.210LB/FT</p>	