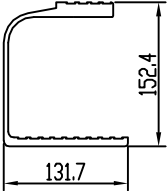
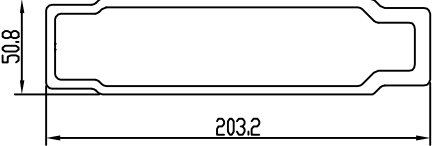
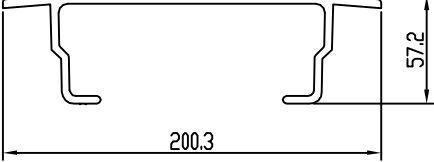
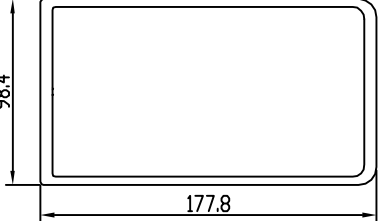
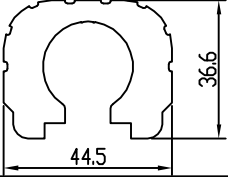
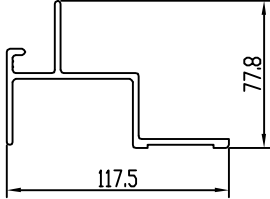
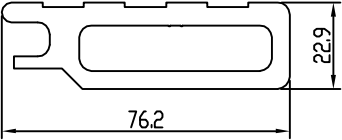
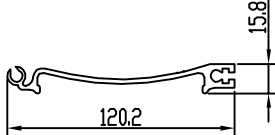
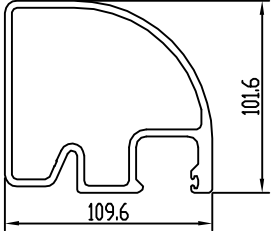
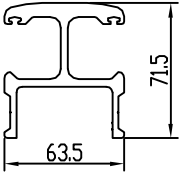
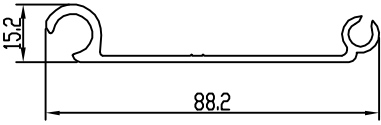
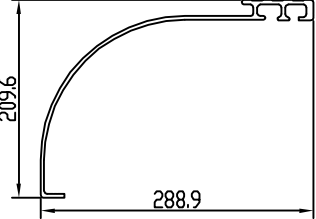
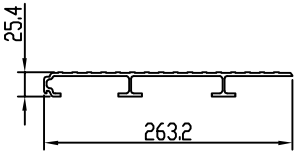

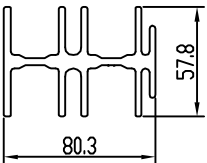


工业用铝型材断面图---STK系列

<p>SY-SH-6-038 T=4.7mm 7.874kg/m</p>		<p>SY-SH-6-069 T=4.7mm 6.945kg/m</p>	
<p>SY-SH-6-045 T=4.2mm 3.971kg/m</p>		<p>SY-SH-6-073 T=4.3mm 7.151kg/m</p>	
<p>SY-SH-6-047 T=5.6mm 2.475kg/m</p>		<p>SY-SH-6-079 T=3.1mm 2.146kg/m</p>	
<p>SY-SH-6-050 T=4.8mm 2.361kg/m</p>		<p>SY-SH-6-081 T=2.5mm 1.234kg/m</p>	
<p>SY-SH-6-051 T=3.8mm 4.843kg/m</p>		<p>SY-SH-6-086 T=3.8mm 3.074kg/m</p>	
<p>SY-SH-6-058 T=1.7mm 0.636kg/m</p>		<p>SY-SH-6-102 T=3.9mm 5.913kg/m</p>	
<p>SY-SH-6-061 T=3.1mm 3.596kg/m</p>		<p>SY-SH-6-104 T=2mm 3.722kg/m</p>	
<p>SY-SH-6-067 T=3.1mm 3.430kg/m</p>		<p>SY-SH-6-106 T=4.7mm 8.577kg/m</p>	